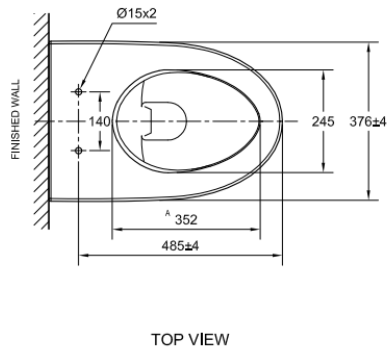
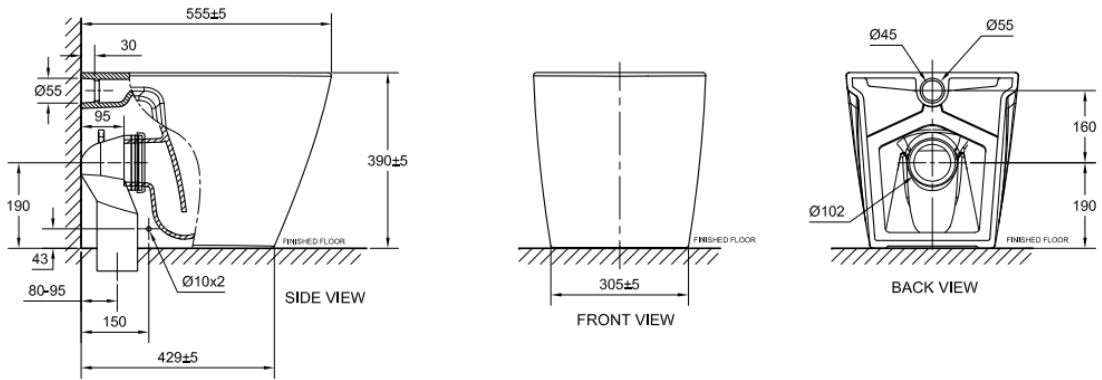


# DIMENSIONAL DRAWING

## S-trap



## P-trap

