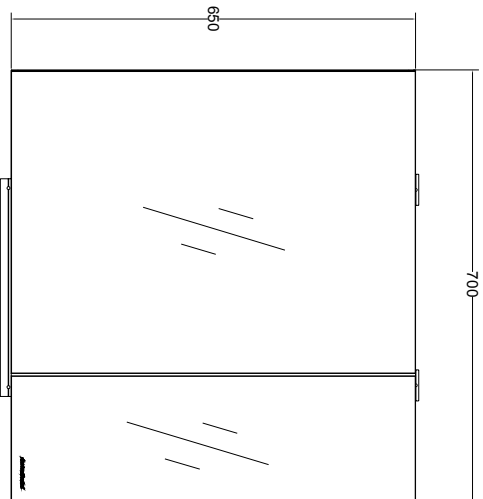


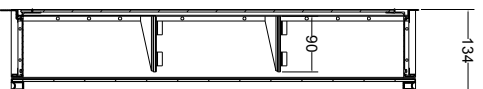
**American Standard**  
International design center

Suite Name: New Codie III Series  
Drawing No: CVASCN76-SN0XX10C0

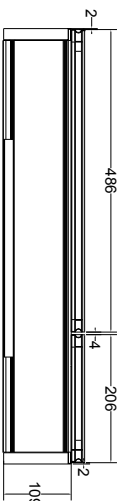
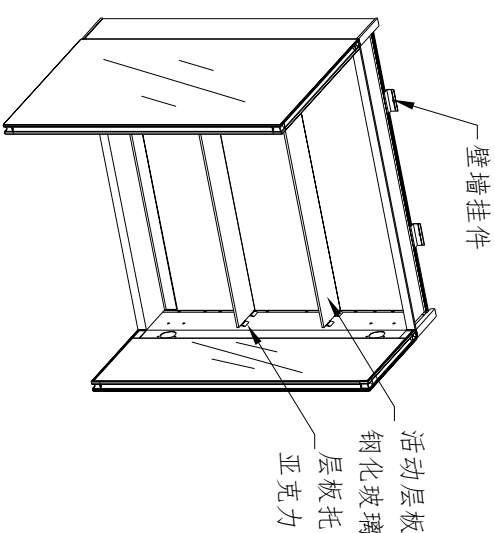
Checked by: Tony Z.	CAD Eng: Tony	DESIGN:
Date: 4-Apr-15	Scale: 1:1	NPD:
Sheet number: 1/1	Material: E1 PBMDF	QA & R-LAB:
Drawing r.v:0+	Master r.v:0+	



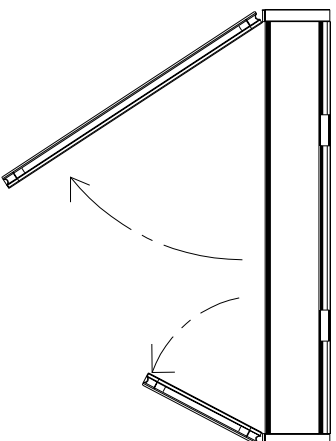
正视图



截面 A-A



顶视图



俯视图 (开合方向)

NDX	DATE	REV
E		
D		
C		
B		
A		

**American Standard**  
International design center

Suite Name: Neo Modern Metal Mirror Cabinet 700  
Drawing No: CVASV070-SC0A400C0

Checked by: Tony Z.	CAD Eng: Ni Tiejun	DESIGN:
Date: May - 18th - 2015	Scale: 1:1	NPD:
Sheet number: 1/1	Material:	QA & R-LAB:
Drawing r.v:0+	Master r.v:0+	