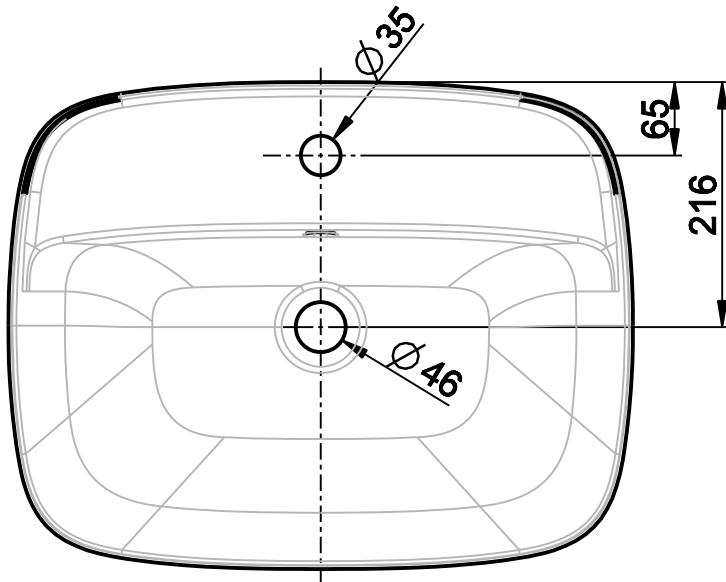
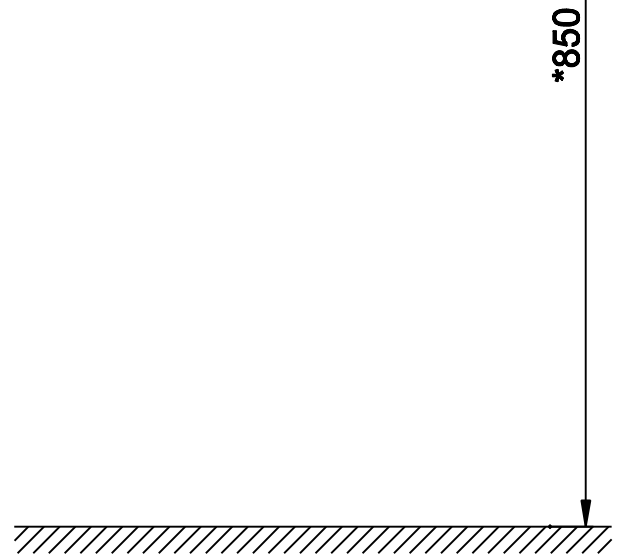
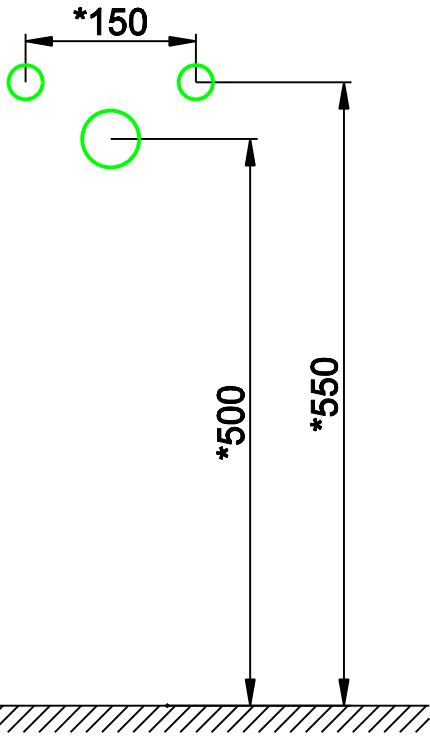
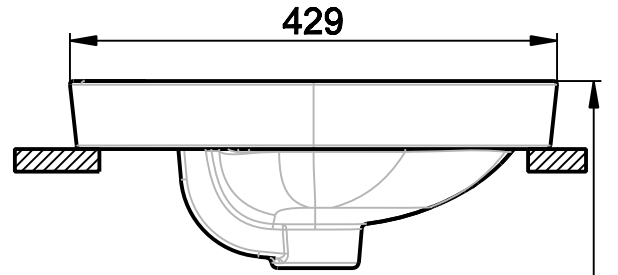
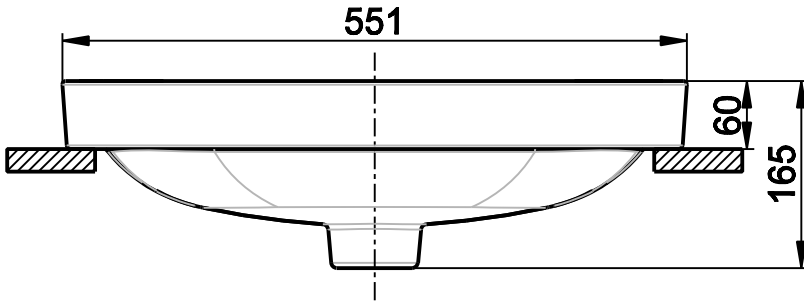


本图纸尺寸仅供参考，如有变更，恕不另行通知
 This drawing just for reference, any change will not inform.

CN NPD/DRA 0 LD-2018



*This mark means suggested

	Drawn David	Material VC	Date: Feb-22-18	scale 1/1
American Standard International design center	Signature CT Basin			sheet 1/1
				0