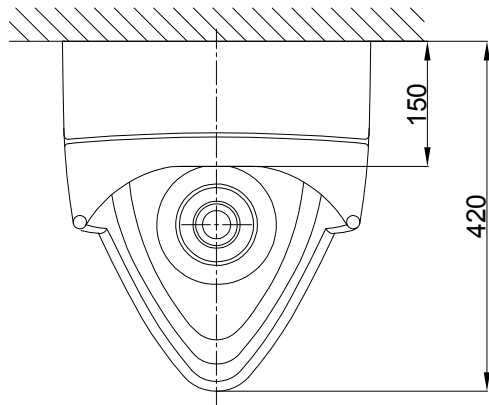
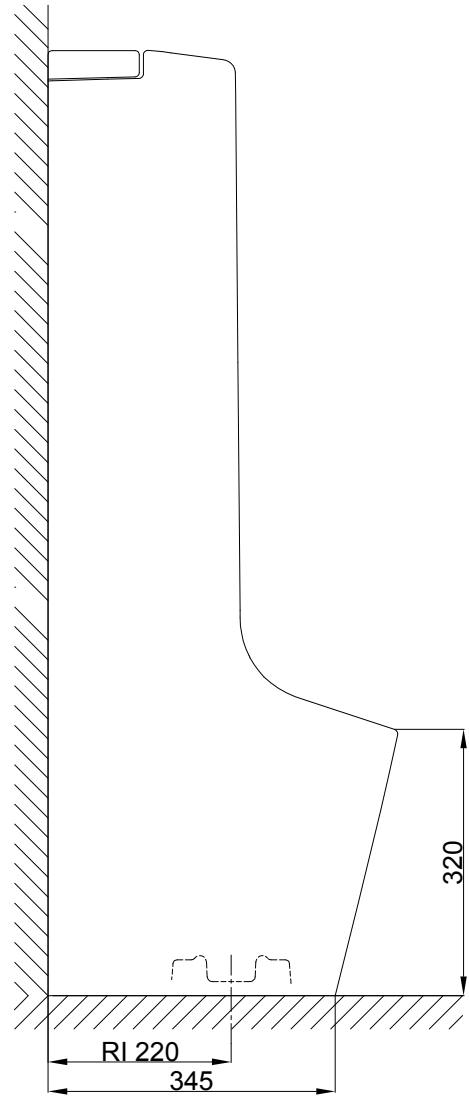
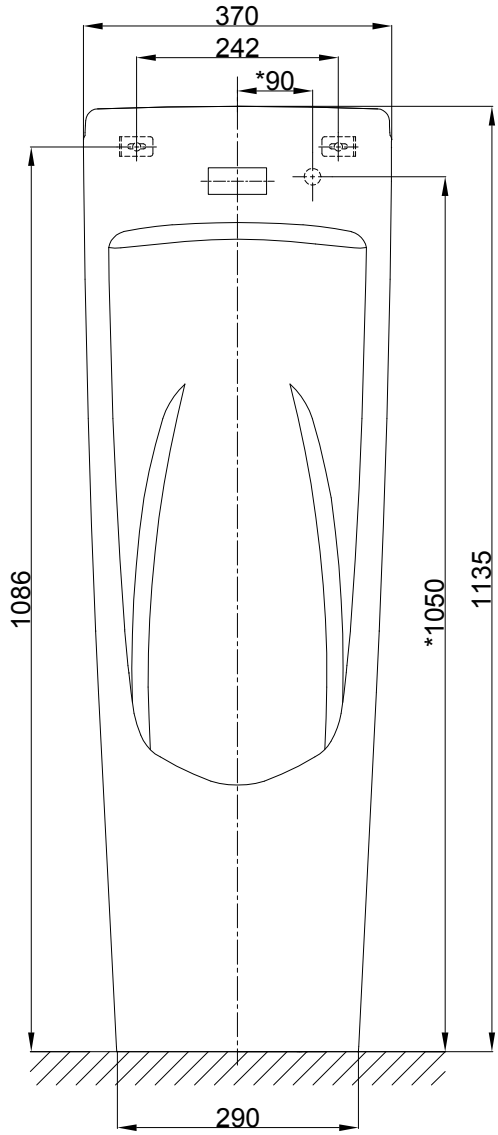


This drawing just for reference, any change will not inform.

CN NPD/DRA 6606 LD-2017



*This mark means suggested

Drawn David	Material VC	Date: 29-Mar-18	scale: 1/1
<i>American Standard</i> International design center	Integrated FSD Urinal		
	6606	sheet 1/1	version 3.0